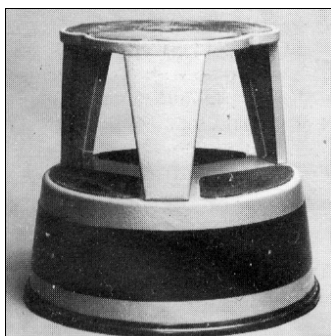


19 Safety and Protection

Miscellaneous Safety Items

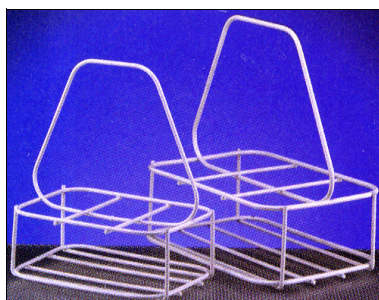
Safety Steps



These extremely stable yet easily mobile double steps make access to high objects such as EM filaments and guns safe and easy thus eliminating one of the major causes of accidents. The 'kick' step rolls on spring-loaded castors to the required location but is immediately stabilised by body weight placed upon it. The castors retract and the steps remain in position on the broad flat base. They cannot move once stood on. The steps are 14" (35.6cm) high and have rubber treads at each level.

S131 Safety steps each

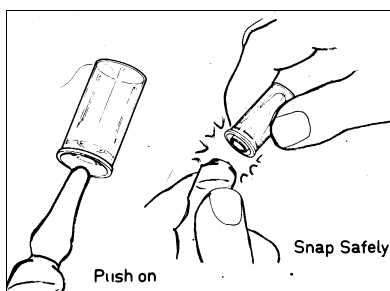
Bottle Carriers



Strong epoxy coated steel wire bottle carrier holds six reagent bottles or wash bottles.

B371 Carrier for bottles max. diameter 60mm each
B372 carrier for bottles max diameter 74mm

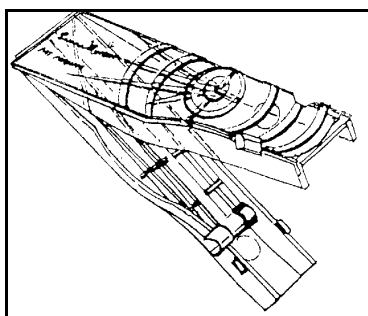
Ampoule Breaker



These disposable ampoule breakers are manufactured from rigid Polythene with a flexible collar and can break prescored ampoules safely and easily. The broken top remains in the breaker for safe disposal. Available for ampoules with capacities 1-4ml and 5-10ml.

A066 Ampoule breaker 1ml to 4ml pack of 100
A067 Ampoule breaker 5ml to 10ml pack of 100

Scalpel Blade Remover



A very useful disposable device for the safe removal of scalpel blades from no. 3 and 4 scalpel handles. They protect the user throughout the blade removal procedure and contain the used blade for safe disposal.

H060 Scalpel blade remover sterile pack of 20
H061 Scalpel blade remover non sterile pack of 100

Parafilm



A self-adhesive, moisture-proof film, stretchable in one direction ideal for sealing bottle mouths, laboratory glassware etc.

P054 Parafilm one way stretch 50mm x 76m long roll

Two-way stretch Parafilm waterproof sealing film

P069 Parafilm two-way stretch 100mm x 38m long roll