

## ***Dilvac Flasks – Borosilicate glass inner***

### **Dewar Flask – Universal Style**

***A Dewar flask with handle and lid***

Fitted in highest quality stainless steel containers, therefore rust-free, anti-corrosive, hygienic and strong. This range of Dewars has an all stainless steel lid with self-contained insulation. Toggle clamps secure the lid to the body for safe and watertight transportation.

Product No	Description	Capacity	Container		Flask	
			Diameter	Height	Diameter	Depth
D096	Dewar Stainless Steel	1 Litre	116	228	85	185
D096/F	Refill	1 Litre	—	—	85	185
D097	Dewar Stainless Steel	2 Litre	142	268	106	205
D097/F	Refill	2 Litre	—	—	106	205



### **Dewar Flask – Shallow Form with Wide Mouth**

***Without handle or lid***

Wide mouth shallow Dewars, dish shaped, fitted in stainless steel containers. Can be used with magnetic stirrer, designed to accept standard boiling flask up to 2 litres in capacity, for freezing applications etc. The shallow form configuration allows for minimum of amount of coolant to be used.

Product No	Description	Capacity	Container		Flask	
			Diameter	Height	Diameter	Depth
D131	Dewar Stainless Steel	1 Litre	130	90	100	65
D131/F	Refill	1 Litre	—	—	100	65
D132	Dewar Stainless Steel	2 Litre	150	95	115	70
D132/F	Refill	2 Litre	—	—	115	70



### **Dewar Flask – Low Cost, Wide Mouth**

***With handle and lid***

A range of low cost utility Dewar flasks specially designed for laboratory, hospital and industrial use. Safe for use with all liquid gases and ideal for cold traps. High quality inner flasks, ultra low evacuated, fitted in attractive blue stove enamelled tough mild steel outer container. Steel lid with self contained insulation.

Product No	Description	Capacity	Container		Flask	
			Diameter	Height	Diameter	Depth
D098	Dewar Mild Steel	1 Litre	116	228	85	185
D098/F	Refill	1 Litre	—	—	85	185
D099	Dewar Mild Steel	2 Litre	142	268	106	205
D099/F	Refill	2 Litre	—	—	106	205



## *Dilvac Flasks – Borosilicate glass inner, continued*

### Dewar Flask – Low Cost, Narrow Mouth

Without handle and lid

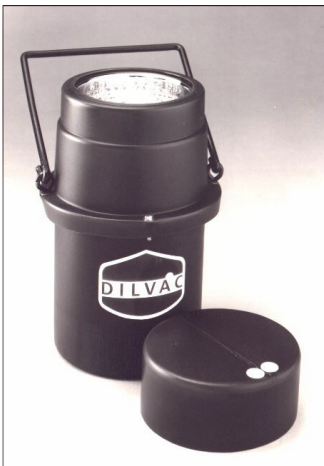


Product No	Description	Capacity	Container		Flask	
			Diameter	Height	Diameter	Depth
D100	Dewar Mild Steel	0.7 Litre	81	350	54	315
D100/F	Refill	0.7 Litre	—	—	54	315
D101	Dewar Mild Steel	1.1 Litre	106	275	75	235
D101/F	Refill	1.1 Litre	—	—	75	235
D102	Dewar Mild Steel	1.5 Litre	126	290	90	240
D102/F	Refill	1.5 Litre	—	—	90	240

### Dewar Flask – Plastic – Wide Mouth

Represents the **complete** answer in low cost, high efficiency Dewar flasks.

Utilising the proven borosilicate glass inner vessel the dewar features a tough, blue plastic, shock resistant container with many safety features. The unit is easily dismantled to facilitate refill changes and all models include a coated handle and push fit insulated lid which is vented for safe handling of all liquid gases.



Product No	Description	Capacity	Container		Flask	
			Diameter	Height	Diameter	Depth
D103	Dewar Plastic	1 Litre	145	220	85	185
D103/F	Refill	1 Litre	—	—	85	185

## *Dilvac Flasks – All Stainless Steel*

### Dewar Flask

These vacuum-insulated Dewar flasks made **entirely** of stainless steel can be used for **ultra-low** or **high temperatures** from  $-196^{\circ}\text{C}$  to  $+850^{\circ}\text{C}$ . Impervious to vibration, impact or breakage ideally suited for the storage and transportation of liquid oxygen and liquid nitrogen. With steel detachable swivel handle but **without** lid.



Product No	Capacity	Inside	Outside	Inside	Outside	Nett Wtg. Empty(kg)
		Diameter	Diameter	Depth	Height	
D174	0.5 Litre	65	87	180	204	0.46
D173	1 Litre	85	107	206	232	0.85
D183	1 Litre	100	122	157	177	0.63
D184	2 Litre	100	122	285	313	1.23

### Polystyrene Jug for Liquid Nitrogen

A practical and light-weight polystyrene jug with 5 litres capacity. Designed for short time storage and transportation of small quantities of liquid nitrogen. Comprises:

- light-weight design of foamed polystyrene
- smooth inner wall
- handle for carrying
- spout for easy pouring
- lid to reduce evaporation
- studded outside for carrying with gloves

D255 1.5 litre polystyrene jug for LN<sub>2</sub>



## Polystyrene Containers for Liquid Nitrogen

A series of light-weight, white polystyrene cryo containers designed for handling, transport, short time storage and use of small amounts of liquid nitrogen (LN<sub>2</sub>). The flat base offers good stability and the wide open top allows for easy access. They are useful for many applications involving liquid nitrogen such as cooling, application, plunging and transporting small amounts of LN<sub>2</sub>. Available in sizes from 0.07 to 4 litres so the correct size can be chosen for the application at hand. Holding time is approximately 6 hours. Features are:

- light-weight design of foamed polystyrene
- smooth inner wall for easy emptying
- flat base for stability
- wide opening for easy access
- studded outer wall giving extra grip for carrying with gloves



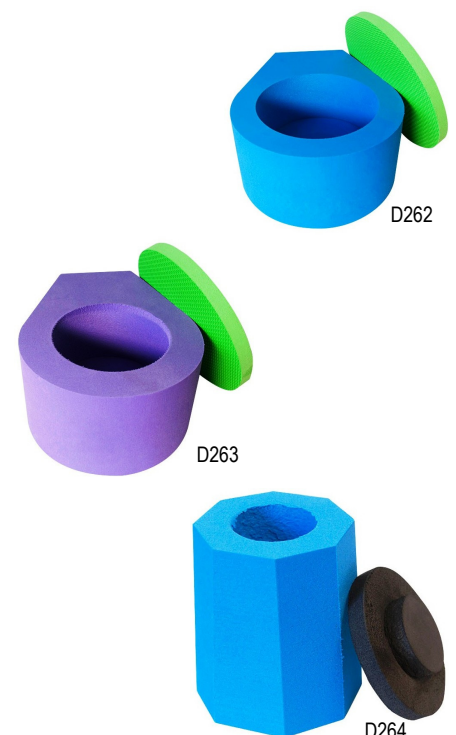
Product	D256	D257	D258	D259
Volume litres	0.074	0.35	0.77	4.6
Lid	No	No	No	Yes
External diameter mm	46	106	107	200
Internal diameter	29	64	75	140
Internal height	105	137	175	305
Wall thickness mm	17	21	16	30
Weight (empty g)	12	76	88	500

## Polystyrene Cryo Cup Containers for LN<sub>2</sub>

The special foam material is chemically inert and mechanically durable enough to be exposed directly to liquid nitrogen, without leaking or degrading. Patented design makes the foam vessel easier to handle and safer to use than a traditional low profile glass Dewar. Because of its lower thermal mass, a foam vessel will cause less liquid nitrogen boiling when it is filled. The foam surface will also accumulate less frost. As a result, less liquid nitrogen is consumed.

Available as 500ml, 800ml and 1400ml Cryo Cups *featuring convenient protruding handle*, a Tall (1800ml) vessel, and a Mini (130ml) vessel. Tall vessel is octagonal for extra grip with gloves.

- D260 Cryo cup **Mini** (130ml)
- D261 Cryo cup **Small** (500ml)
- D262 Cryo cup **Medium** (800ml)
- D263 Cryo cup **Large** (1400ml)
- D264 Cryo cup **Tall** (1800 ml)



## Liquid Nitrogen Trolley



Highest quality rigid box section trolley designed for 25 litre Dewars. For smooth effortless motion the trolley has four large rubber covered, castor type wheels, the front two of which are lockable to stabilise the trolley whilst pouring. The trolley is designed for the Statebourne LA25, BOC 25, UC25 (all with trunnions), and used with the cradle adapter, for the UC25 Dewar without trunnions. There is an optional towing handle available suitable for all trolleys.

<b>L053</b>	Trolley/Stand, BOC25 & UC25 <i>with</i> trunnions	each
<b>L053/S</b>	Trolley/Stand, Statebourne LA25 <i>with</i> trunnions	each
<b>L054</b>	Towing handle	each
<b>L055</b>	Adapter for UC25 dewar <i>without</i> trunnions	each



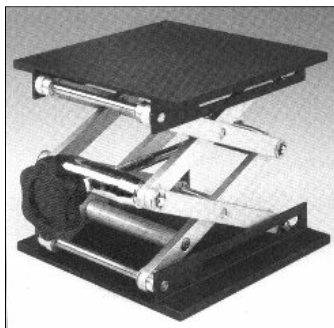
## Statebourne Dewar – 25 Ltr

Top quality 25 litre capacity liquid **nitrogen** Dewar *with* trunnions. Reinforced neck and fitted with efficient sealing plug/cap to minimise nitrogen evaporation.

<b>L057</b>	Statebourne 25 ltr liquid nitrogen dewar	each
-------------	--	------

Dewar shown mounted in L053 Trolley

## Laboratory Lifts



Robust universal elevating platforms, indispensable accessory for all laboratories. They are rigid, sturdy, can be operated very easily and are ideal for holding or supporting flasks, glassware, heating plates, magnetic stirrers etc. The two larger models have a tapped hole with locking nut in the top plate that accepts an M10 threaded retort rod.

Product No	Plate Dimension mm	Max. Height mm	Max. Weight kg	Retort Rod Facility
<b>L066</b>	100 x 100	140	10	No
<b>L067</b>	150 x 150	290	30	Yes
<b>L059</b>	200 x 200	290	40	Yes
<b>L060</b>	Retort Rod - stainless steel, 760mm long x 12.5mm diam.			

## Vacuum Desiccator – Plastic



A proven design, that provides maximum interior clearances while utilising the same bench space area of other plastic desiccators. Tough transparent polycarbonate top with O-ring seal, polypropylene base and perforated polypropylene plate. With stopcock that accepts 6mm bore flexible vacuum tubing. Do not use with methacrylate embedding media or plastic solvent.

**Desiccant** – Colour change silica gel beads in a cartridge designed to fit the plastic desiccators but can also be used in other desiccators of suitable diameter. The silica gel can be regenerated repeatedly without degradation at 150°C.

Desiccant	
<b>D164</b>	114mm diameter
<b>D165</b>	197mm diameter

Product No	Flange O.Diam mm	Inside Dia mm	Plate size mm	Overall height mm	Clearance above plate - mm
<b>D105</b>	171	149	140	206	121
<b>D106</b>	230	197	190	260	157
<b>D177</b>	273	240	230	311	197