

Wafer Holders for SEM

Compatible with wafers with or without a notch

These wafer holders are specially designed to hold semi-conductor wafers in sizes of 100mm, 150mm and 200mm diameter (4 inch, 6 inch and 8 inch). They are compatible with wafers with either a flat or with a notch. The unique locking slide is adjustable to cope with non-standard wafers.

Unique features:

- low profile, weight balanced support disc
- square cut-outs for wafer tweezers
- adjustable spring tension
- adjustable for non-standard wafers
- self lubricating locking slide
- compatible with either wafers with a notch or wafers with a flat
- compatible with our stage adapters for all SEM platforms

Available with:

Standard pin to fit on SEMs FEI, Philips, Zeiss, LEO, Leica, Tescan, Aspex, R J Lee, AmRay, Cambridge Instruments, CamScan, ETEC and Novascan.

M4 threaded hole; compatible with Hitachi SEMs, FESEMs and table top SEMs **and** with the our versatile SEM stage adapters.

- W106** **Standard pin** Wafer Holder for 100mm Ø (4")
W106/1 **M4** threaded hole Wafer Holder 100mm Ø (4")

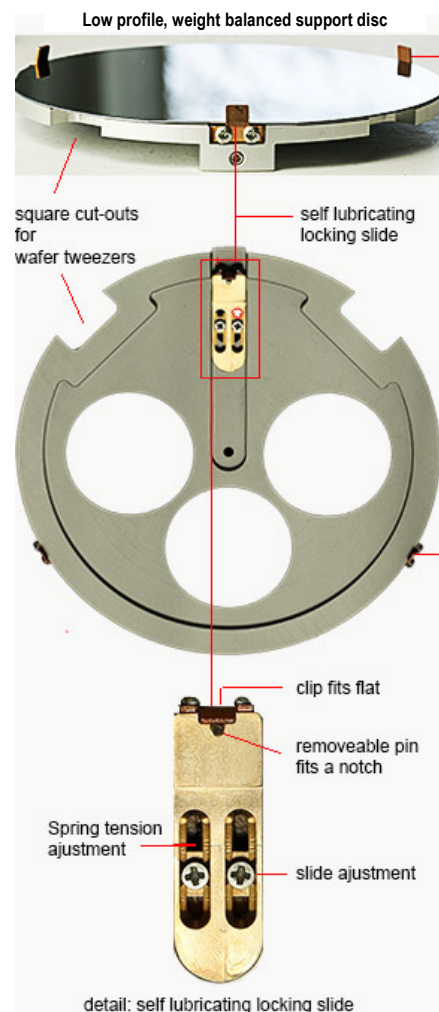
Dimensions without pin 106mm Ø x 16mm

- W107** **Standard pin** Wafer Holder for 150mm Ø (6")
W107/1 **M4** threaded hole Wafer Holder 150mm Ø (6")

Dimensions without pin 156mm Ø x 16mm

- W108** **Standard pin** Wafer Holder for 200mm Ø (8")
W108/1 **M4** threaded hole Wafer Holder 200mm Ø (8")

Dimensions without pin 206mm Ø x 16mm



W106



W107



W108